



## Video & Audio Surveillance



# DS-T2200 Video Wall Controller

## Features and Functions

- Supports 1/4/9/16 window division modes and full-screen switch of the window.
- A signal source can be displayed on the  $M \times N$  ( $M \geq 1, N \geq 1$ ) display units.
- Multiple signal sources are supported, including VGA, DVI, HDMI, SDI, YpbPr, DP, HDBaseT. Up to  $3840 \times 2160@30$  Hz resolution is supported for HDMI, DP and HDBaseT signal inputs.
- Tile mode available and the video layers can be extended to 8 layers in tile mode.
- The window can be kept sticking on top without being affected by the operations of other windows and kept open without being affected by the scene or plan configuration.
- Up to 6 image layers can be displayed on one screen, including one virtual LED image layer and a background layer.
- The LED background color is adjustable. The resolution of background layer is up to  $8192 \times 8192$ .
- Supports custom resolution access of DP, DVI and HDMI signal sources and characters overlap.
- Device running status, sub-board status, and fan status can be checked.
- Supports remote interaction.
- Compatible with wireless projection.
- 4K outputs support joint display.
- The tile mode can be saved in the scene.
- Video wall mirror configurable to mirror the content of one video wall area to another area.
- Users have the permission to manage the signal sources and video wall.
- Built-in matrix feature for opening a signal source on several windows simultaneously.
- Supports SADP searching active IP address and resetting the
- Distributed network signal sources configurable to raise the signal source capacity and transmission distance.
- Live view in the roaming window and live view list.
- Fluent video output without frame extraction to guarantee the lossless output of 60 frames.
- An enhanced network decoding board supports H.264 and H.265 compression standard and can display network signal of 2-ch@8.0 MP, 2-ch@6.0 MP, 2-ch@5.0 MP, 8-ch@1080p, 16-ch@720p and 32-ch@D1 and local video files.
- Auto sub-stream decoding if the output resolution of decoding window is lower than  $640 \times 640$ .
- Matrix protocol of ZT1.0, ZT2.0, Extron, Creator and HIK\_CVBS\_96P supported and up to 4 matrixes with maximum 512 input channels of each matrix supported.
- Supports crossing-window video roaming.
- Supports adjusting the output to match the virtual output of client software with real output of controller.
- Up to 16 devices can be managed and up to 5 virtual video walls can be displayed by a client server.
- Remote control via iOS client server, Android client server and IE browser.
- Supports opening windows to display video signal, with the window position and size adjustable.
- Supports both the LED screen mode with small pixel pitch and the normal screen mode.
- Self-adaptive to the configured LED resolution.
- Scene switching for local signal sources can be done in seconds without black screens.
- Image lossless collecting, transmitting and displaying without color cast, color bleed and word blur.



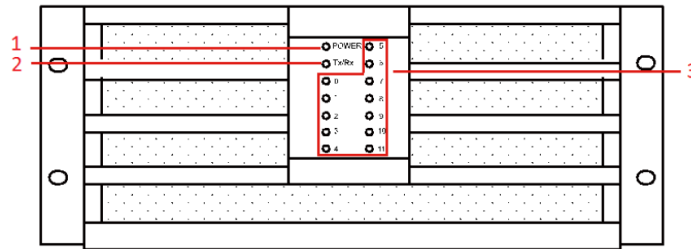
# Specifications

DS-T2200		
Model		DS-T2200
Hardware	Slot Number	22 (12 × Input, 10 × Output)
Motherboard (DS-C10S-MSUT)	Network Interface	1, 10M/100M/1000M self-adaptive Ethernet interface
	USB Interface	1 × USB 2.0 (Reserved)
	RS-232 Serial Interface	2
	Cascade Network Interface	2, SYNC OUT/IN (reserved)
Network Decoding Board	Decoding Performance	2-ch@8 MP (low frame rate), 2-ch@6 MP, 2-ch@5 MP, 8-ch@1080p, 16-ch@720p, or 32-ch@D1
DVI Input Board	Interface	4 × DVI interface
	DVI Input Resolution	720P@50Hz, 720P@60Hz, 1080P@50Hz, 1080P@60Hz, 1600 × 1200@60Hz, 1920 × 1200@60Hz
HDMI Input Board	Interface	4 × HDMI interface
	HDMI Input Resolution	720P@50Hz, 720P@60Hz, 1080P@50Hz, 1080P@60Hz, 1600 × 1200@60Hz, 1920 × 1200@60Hz, 3840 × 2160@30Hz Only No. 1 and 3 interfaces support 3840 × 2160@30Hz.
SDI Input Board	Interface	4 × SDI interface, PAL/NTSC self-adaptive
	SDI Input Resolution	720P@25Hz, 720P@30Hz, 720P@50Hz, 720P@60Hz, 1080P@25Hz, 1080P@30Hz, 1080P@50Hz, 1080P@60Hz
YPbPr Input Board	Input	4 × YPbPr interface
	DVI Input Resolution	576P@50Hz, 480P@60Hz, 720P@50Hz, 720P@60Hz, 1080P@50Hz, 1080P@60Hz The DVI to YPbPr adaptor is required for YPbPr input.
DP Input Board	Interface	4 × DP interface
	DP Input Resolution	720P@50Hz, 720P@60Hz, 1080P@50Hz, 1080P@60Hz, 1600 × 1200@60Hz, 1920 × 1200@60Hz, 3840 × 2160@30Hz Only No. 1 and 3 interfaces support 3840 × 2160@30Hz.
HDBaseT Input Board	Interface	4 × HDBaseT interface
	HDBaseT Input Resolution	720P@50Hz, 720P@60Hz, 1080P@50Hz, 1080P@60Hz, 1600 × 1200@60Hz, 1920 × 1200@60Hz, 3840 × 2160@30Hz Only No. 1 and 3 interfaces support 3840 × 2160@30Hz.
DVI Output Board	Interface	4 × DVI interface
	DVI Output Resolution	1360 × 768@60Hz, 1400 × 1050@60Hz, 1280 × 720@60Hz, 1024 × 768@60Hz, 1920 × 1080@60Hz, 1920 × 1200@60Hz
Others	Power Supply	100 to 240 VAC, 50/60 Hz
	Dimension (D × H × W)	352 × 354 × 442.4 mm (13.9 × 13.9 × 17.4 inch)
	Weight	≤ 35 kg (full-loaded)

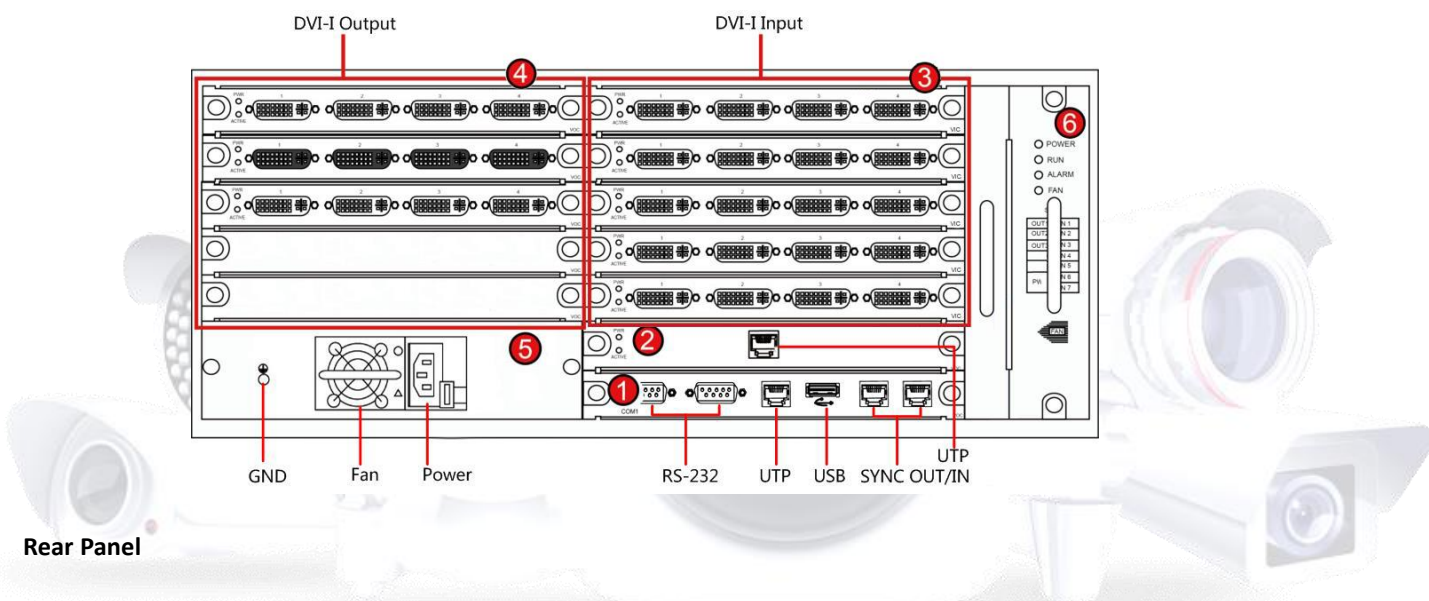


# Physical Interfaces

## Front Panel



Index	Description	Index	Description
1	Power Indicator	3	Board Indicator
2	Network Indicator		



Index	Description	Index	Description
1	Motherboard	4	Signal Output Module
2	Signal Input Module	5	Power
3	Signal Input Module	6	Fan



TJ Infotech Pte Ltd  
 3 Ang Mo Kio Street 62, #04-33, Singapore 569139 | Link@AMK  
[www.tjinfotech.net](http://www.tjinfotech.net) | [sales@tjinfotech.net](mailto:sales@tjinfotech.net)  
 ©2020 Doc#DS series

